

3M Personal Safety Division
3M™ Welding Helmet 10 with Auto-Darkening Filter 10V



Performance
made

Affordable



3M has the intense desire to help improve your working conditions. Reliable protection and high quality have always been hallmarks in our product development and manufacturing.

30 years of experience in developing high performance auto-darkening welding helmets has provided us with insights into what you need in your daily welding challenges to perform with confidence.

We proudly present our latest high-performing auto-darkening welding helmet: 3M™ Welding Helmet 10 with Auto-Darkening Filter 10V!

The Power to Protect Your WorldSM



3M™ Welding Helmet 10

Robust, industrial design

Adjustable ratchet headgear

Light weight - Approximately 13.8 oz (390 grams) including auto-darkening welding filter

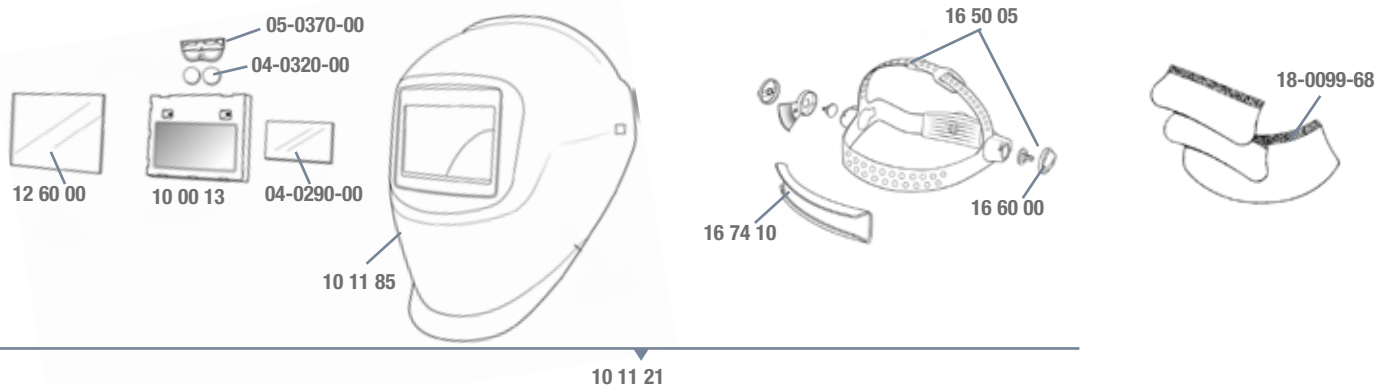
Can be worn with select 3M™ Disposable Respirators.



Technical Data

Rated for	MIG, Stick, TIG (> 20 A)
Switching time, light-dark (approx.)	0.1 ms @ 73°F (23°C)
Switching time, dark-light	40–250 ms
UV / IR protection	Shade 12 (permanent)
Viewing area (approx.)	3.66 x 1.73 in (93 x 44 mm)
Light state	Shade 3
Dark state	Shade 10–12 (variable)
Battery lifetime (approx.)	1 500 hours

Meets the high impact requirements of ANSI Z87.1-2010.



Part No	Description	Part No	Description	Part No	Description
10 00 13	3M welding filter 10V, shades 10-12	12 60 00	Outside protection plate, 2 ea/bag, 6 bags/case	04-0320-00	Battery, 2/case
10 11 21	3M welding helmet 10 with headband and welding filter 10V, shades 10-12 1/case	16 50 05	Headband with assembly parts	04-0290-00	Inside protection plate, 5/case
10 11 85	Welding helmet without headband, without welding filter	16 60 00	Assembly parts for headband, 3/case	05-0370-00	Battery cover
		16 74 10	Sweatband, 10/case	18-0099-68	Throat and side protector, leather

⚠ WARNING

This product is designed to help protect the wearer's eyes and face from harmful radiation including visible light, ultra-violet radiation (UV), infra-red radiation (IR), sparks and spatter resulting from welding processes. These products must be used only by qualified persons who are properly trained in their use and maintenance. **Misuse may result in permanent eye injury and vision loss.** Always wear ANSI Z87.1 compliant safety spectacles in addition to any welding helmet. For proper use, see supervisor, or User Instructions or call 3M in U.S.A. 1-800-243-4630. In Canada, call Technical Service at 1-800-267-4414.



Personal Safety Division

3M Center, Building 235-2NW-70,
St. Paul, MN 55144-1000, USA
Technical Assistance: 1-800-243-4630.
Customer Service: 1-800-328-1667
www.3M.com/PPE Safety



3M is a trademark and The Power to Protect Your World is a service Mark of 3M Company, used under license in Canada.
Please recycle. Printed in the USA.
© 3M 2013. All rights reserved.
70-0716-2672-8