

Handschweißbrenner Welding Torch



Technische Daten: SB 250 G + SB 250 G flex

Belastung: 230 A CO₂ (nach EN 60 974-7)
200 A ArCO₂ / M21
Einschaltdauer: @ 60%
Draht-ø: 0,8 - 1,2 mm

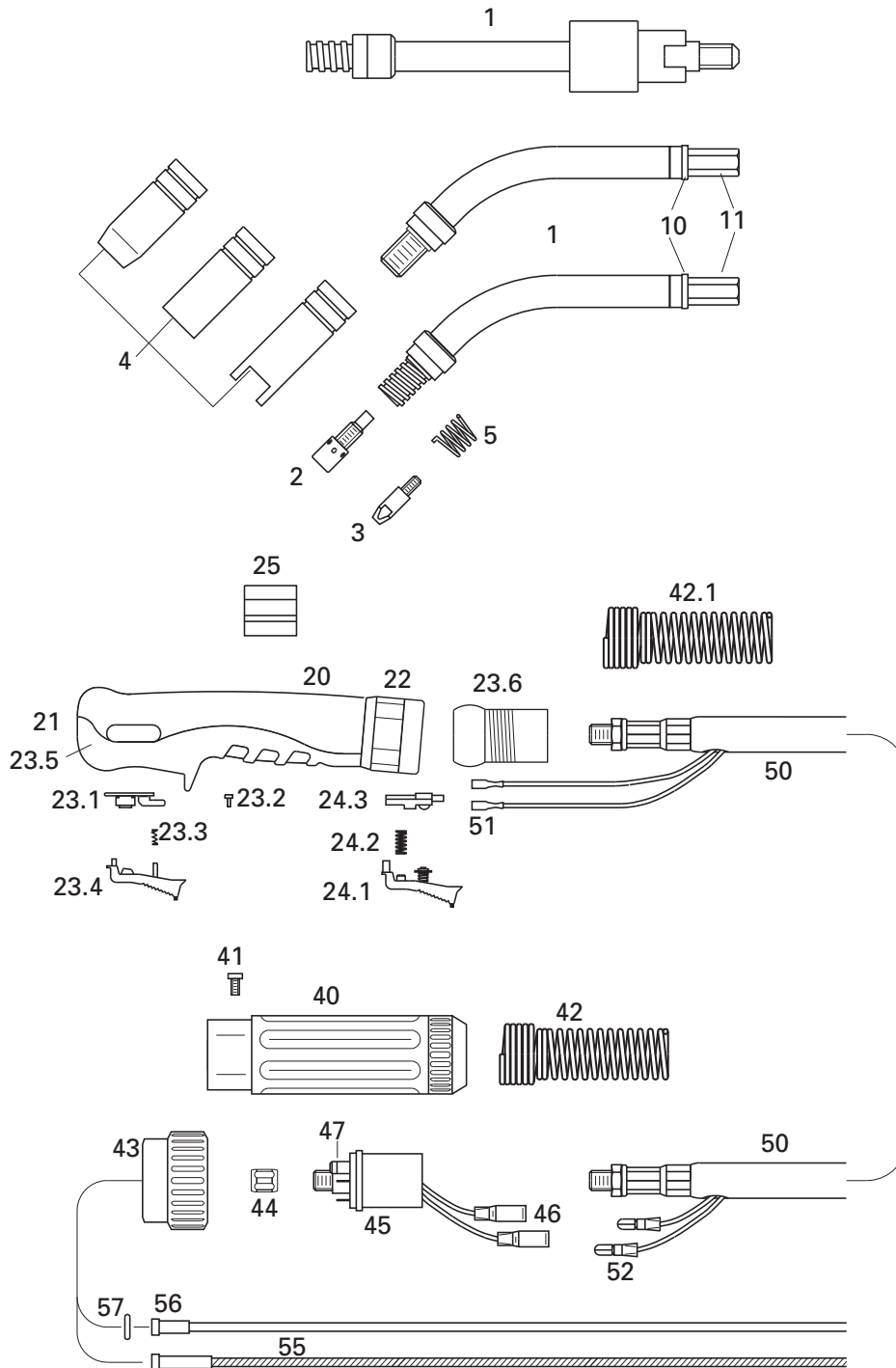
| Artikel Nr. / Einzelheiten | 3 m | 4 m | 5 m |
|--------------------------------------|---------|---------|---------|
| Ergo-Griff | 2253031 | 2254031 | 2255031 |
| Ergo-Griff mit Federschalter | 2253051 | 2254051 | 2255051 |
| Automatenbrenner 180° | 2253009 | 2254009 | 2255009 |
| Automatenbrenner 45° | 2253019 | 2254019 | 2255019 |
| Ergo-Griff und flexibler Brennerhals | 2253431 | 2254431 | 2255431 |

Technical Data: SB 250 G + SB 250 G flex

Rating: 230 A CO₂ (accor. to EN 60 974-7)
200 A ArCO₂ / M21
Duty Cycle: @ 60%
Wire Diameter: 0.8 - 1.2 mm

| Part Number / Details | 3 m | 4 m | 5 m |
|------------------------------------|---------|---------|---------|
| Ergo-Handle | 2253031 | 2254031 | 2255031 |
| Ergo Bladeswitch Handle | 2253051 | 2254051 | 2255051 |
| Machine Torch 180° | 2253009 | 2254009 | 2255009 |
| Machine Torch 45° | 2253019 | 2254019 | 2255019 |
| Ergo-Handle and flexible Swan Neck | 2253430 | 2254430 | 2255430 |

Handschweißbrenner Welding Torch



| | | | |
|---------------------------------------|---|--|---------|
| 1 | Brennerbauteile Torch Components | Brennerhals, steckbar | 2250100 |
| | | Swan Neck for Slip-On-Nozzle | |
| | | Brennerhals, schraubbar | 2250101 |
| | | Swan Neck for Screw-On-Nozzle | |
| | | Brennerhals, flexibel | 2250104 |
| | | Swan Neck, flexible | |
| | | Brennerhals, gerade für Pistolengriff | 2250106 |
| | | Swan Neck, straight for Pistol Grip Handle | |
| | | Brennerhals, 45 ° für Pistolengriff | 2250116 |
| | | Swan Neck, 45 ° for Pistol Grip Handle | |
| | | Brennerhals, AUT - gerade (Maschinenbrenner) | 2250103 |
| | | Swan Neck, AUT - straight (Machine Torch) | |
| | | Brennerhals, AUT - 45 ° (Maschinenbrenner) | 2250113 |
| Swan Neck, AUT - 45 ° (Machine Torch) | | | |
| 2 | | Düsenstock M 6 | 2250406 |
| | | Tip Adapter M 6 | |
| | | Düsenstock M 8 | 2250408 |
| | | Tip Adapter M 8 | |
| 3 | Stromkontaktdüsen Current Contact Tips | M 6 x 28, ø in mm ECu | 22506xx |
| | | M 6 x 28, ø in mm CuCrZr | 22576xx |
| | | M 6 x 28, ø in mm für / for Alu | 22566xx |
| | | Stromdüsen erhältlich in ø 0.8/0.9/1.0/1.2 mm | |
| | | Bitte bei xx Drahtdurchmesser angeben. Beispiel: ø 1,2 mm ist: 12; Art.-Nr.: = 2250612 | |
| | | Tips available in .030"/.035"/.039/.045" | |
| | | Please insert wire diameter at xx. Example: ø 0.45" = 1.2 mm is 12; Art.-No.: = 2250612 | |
| 4 | Gasdüsen Gas Nozzles | Gasdüse, zylindrisch, steckbar | 2250801 |
| | | Slip-On Nozzle, cylindrical | |
| | | Gasdüse, konisch, steckbar | 2250802 |
| | | Slip-On Nozzle, conical | |
| | | Gasdüse, stark konisch, steckbar | 2250803 |
| | | Slip-On Nozzle, tapered | |
| | | Gasdüse, steckbar, flaschenförmig | 2250804 |
| | | Slip-On Nozzle, bottle shape | |
| | | Punktgasdüse, steckbar | 2250805 |
| | | Slip-On Spot Welding Nozzle | |
| | | Gasdüse, zylindrisch, schraubbar | 2250811 |
| | | Screw-On Nozzle, cylindrical | |
| | | Gasdüse, konisch, schraubbar | 2250812 |
| | | Screw-On Nozzle, conical | |
| | | Gasdüse, stark konisch, schraubbar | 2250813 |
| | | Screw-On Nozzle, tapered | |
| | | Gasdüse, schraubbar, flaschenförmig | 2250814 |
| | | Screw-On Nozzle, bottle shape | |
| Punktgasdüse, schraubbar | 2250815 | | |
| Screw-On Spot Welding Nozzle | | | |

| | | | |
|------|--------------------------------|---|---------|
| 5 | Verschleißteile Spare Parts | Haltefeder Nozzle Spring | 2250500 |
| 10 | | Messing Beilagscheibe Washer | 2150202 |
| 11 | | 6-Kant-Langmutter Hexagonal Fitting | 2150203 |
| 20 | | Ergo-Griff kpl. Ergo-Handle cpl. | 2111130 |
| 21 | | Ergo-Griff, obere & untere Hälfte & Mutter Ergo-Handle Shells with Nut | 2111121 |
| 22 | | Mutter Handle Nut | 2111112 |
| 23.1 | | Schalterplatine PC-Board | 2111103 |
| 23.2 | | Schraube für Platine Screw for PCB | 2111104 |
| 23.3 | | Feder Spring | 2111105 |
| 23.4 | | Drücker Trigger | 2111106 |
| 23.5 | | Schraube Screw | 2101101 |
| 23.6 | | Knickschutz-beweglich | 2111171 |
| 24 | | Ergo-Griff, Kpl., Federschalter Ergo-Handle, Blade-Switch | 2111151 |
| 24.1 | | Taster, Ergo-Federdrücker Trigger, Ergo-Blade-Switch | 2111151 |
| 24.2 | | Feder, Ergo-Federdrücker Spring, Ergo-Blade-Switch | 2111152 |
| 24.3 | | Kontakthalter, Ergo-Federdrücker Contact Holder, Ergo-Blade-Switch | 2111153 |

| | | Connection Body | |
|-------|---------------------------------|--|---------|
| 40 | Schlauchpaket Cable Assembly | Knickschutz 2-teilig Gun Plug Housing | 2251601 |
| 41 | | Schraube Screw | 0040601 |
| 42 | | Knickschutzfeder Cable Support Spring | 2151201 |
| 43 | | Anschlußmutter Plug Nut | 2151700 |
| 44 | | Ms-Überwurfmutter Liner Positioner Nut | 2151501 |
| 45 | | ZA-Stecker Luft mit Federpins Gun Plug Body with Spring Loaded Pins | 2151505 |
| 46 | | Rundsteckbuchse, isoliert Female Electrical Connector, insulated | 2155100 |
| 47 | | O - Ring O - Ring | 0041000 |
| <hr/> | | | |
| 50 | Koaxialkabel Coaxial Cable | 25 mm ² , 3 m | 3002530 |
| | | 25 mm ² , 4 m | 3002540 |
| | | 25 mm ² , 5 m | 3002550 |
| <hr/> | | | |
| 51 | | Flachhülse 2,8 x 0,8 Female Electrical Connector 2.8 x 0.8 | 2415304 |
| 52 | | Rundstecker, isoliert | 2155200 |

Male Electrical Connector, insulated

| | | | |
|----|-----------------------------------|---|---------|
| 55 | Schlauchpaket Cable Assembly | DF-Spiralen ummantelt und Teflonseelen Coated Steel- and Teflon-Liners | |
| | | DF-Spirale 1,5 x 4,0 mm / 3 m | 3441530 |
| | | Steel Liner 1.5 x 4.0 mm / 3 m | |
| | | DF-Spirale 1,5 x 4,0 mm / 4 m | 3441540 |
| | | Steel Liner 1.5 x 4.0 mm / 4 m | |
| | | DF-Spirale 1,5 x 4,0 mm / 5 m | 3441550 |
| | | Steel Liner 1.5 x 4.0 mm / 5 m | |
| | | Teflonseele 1,5 x 4,0 mm / 3 m | 3411530 |
| | | Teflon Liner 1.5 x 4.0 mm / 3 m | |
| | | Teflonseele 1,5 x 4,0 mm / 4 m | 3411540 |
| | | Teflon Liner 1.5 x 4.0 mm / 4 m | |
| | | Teflonseele 1,5 x 4,0 mm / 5 m | 3411550 |
| | | Teflon Liner 1.5 x 4.0 mm / 5 m | |
| | | DF-Spirale 2,0 x 4,0 mm / 3 m | 3442030 |
| | | Steel Liner 2.0 x 4.0 mm / 3 m | |
| | | DF-Spirale 2,0 x 4,0 mm / 4 m | 3442040 |
| | | Steel Liner 2.0 x 4.0 mm / 4 m | |
| | | DF-Spirale 2,0 x 4,0 mm / 5 m | 3442050 |
| | | Steel Liner 2.0 x 4.0 mm / 5 m | |
| | | Teflonseele 2,0 x 4,0 mm / 3 m | 3412030 |
| | | Teflon Liner 2.0 x 4.0 mm / 3 m | |
| | | Teflonseele 2,0 x 4,0 mm / 4 m | 3412040 |
| | | Teflon Liner 2.0 x 4.0 mm / 4 m | |
| | | Teflonseele 2,0 x 4,0 mm / 5 m | 3412050 |
| | | Teflon Liner 2.0 x 4.0 mm / 5 m | |
| 56 | | Haltenippel für ummantelte Spirale 4,0 Collet for coated Liner 4.0 | 2155645 |
| | | Haltenippel für Teflonseele 4,0 Collet for Teflon Liner 4.0 | 2155740 |
| 57 | | O - Ring O - Ring | 0031500 |
| | ohne Abbildung without picture | Griffrohr AUT Handle AUT | 2411009 |